

PCT

WORLD INTELLECTUAL PROPERTY
International Bureau

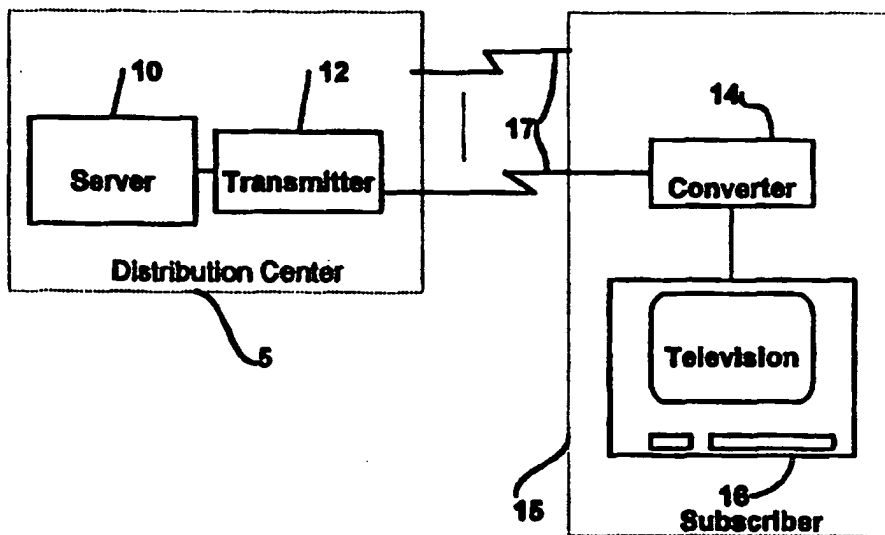


INTERNATIONAL APPLICATION PUBLISHED UNDER

WO 9608109A1

(51) International Patent Classification ⁶ : H04N 7/10	A1	(11) International Publication Number: WO 96/08109
		(43) International Publication Date: 14 March 1996 (14.03.96)
<p>(21) International Application Number: PCT/US95/11710</p> <p>(22) International Filing Date: 7 September 1995 (07.09.95)</p> <p>(30) Priority Data: 303,352 8 September 1994 (08.09.94) US</p> <p>(60) Parent Application or Grant (63) Related by Continuation US 08/303,352 (CON) Filed on 8 September 1994 (08.09.94)</p> <p>(71)(72) Applicant and Inventor: CARLES, John, B. [US/US]; 333 East 56th Street, New York, NY 10022 (US).</p> <p>(74) Agents: LERCH, Joseph, B. et al.; Darby & Darby, P.C., 805 Third Avenue, New York, NY 10022 (US).</p>	<p>(81) Designated States: AM, AT, AU, BB, BG, BR, BY, CA, CH, CN, CZ, DE, DK, EE, ES, FI, GB, GE, HU, IS, JP, KE, KG, KP, KR, KZ, LK, LR, LT, LU, LV, MD, MG, MK, MN, MX, NO, NZ, PL, PT, RO, RU, SD, SE, SG, SI, SK, TJ, TM, TT, UA, US, UZ, VN, European patent (AT, BE, CH, DE, DK, ES, FR, GB, GR, IE, IT, LU, MC, NL, PT, SE), OAPI patent (BF, BJ, CF, CG, CI, CM, GA, GN, ML, MR, NE, SN, TD, TG), ARIPO patent (KE, MW, SD, SZ, UG).</p> <p>Published With international search report.</p>	

(54) Title: SYSTEM AND METHOD FOR SELECTIVELY DISTRIBUTING COMMERCIAL MESSAGES OVER A COMMUNICATIONS NETWORK



(57) Abstract

A device and method of distributing commercial messages to an individually addressable subscriber terminal ("converter (14)") on a network is provided. A server (10), located on the network, selectively tags commercial messages with routing information and converter addresses, and transmits the messages on the network to be received and displayed by the addressed converters (14). The addresses are selected based on information stored in a database related to demographic and other information relating to the members of the household of the subscriber (15). The server (10) sends selected commercial messages to selected households.

FOR THE PURPOSES OF INFORMATION ONLY

Codes used to identify States party to the PCT on the front pages of pamphlets publishing international applications under the PCT.

AT	Austria	GB	United Kingdom	MR	Mauritania
AU	Australia	GE	Georgia	MW	Malawi
BB	Barbados	GN	Guinea	NE	Niger
BE	Belgium	GR	Greece	NL	Netherlands
BF	Burkina Faso	HU	Hungary	NO	Norway
BG	Bulgaria	IE	Ireland	NZ	New Zealand
BJ	Benin	IT	Italy	PL	Poland
BR	Brazil	JP	Japan	PT	Portugal
BY	Belarus	KE	Kenya	RO	Romania
CA	Canada	KG	Kyrgyzstan	RU	Russian Federation
CF	Central African Republic	KP	Democratic People's Republic of Korea	SD	Sudan
CG	Congo	KR	Republic of Korea	SE	Sweden
CH	Switzerland	KZ	Kazakhstan	SI	Slovenia
CI	Côte d'Ivoire	LJ	Liechtenstein	SK	Slovakia
CM	Cameroon	LK	Sri Lanka	SN	Senegal
CN	China	LU	Luxembourg	TD	Chad
CS	Czechoslovakia	LV	Latvia	TG	Togo
CZ	Czech Republic	MC	Monaco	TJ	Tajikistan
DE	Germany	MD	Republic of Moldova	TT	Trinidad and Tobago
DK	Denmark	MG	Madagascar	UA	Ukraine
ES	Spain	ML	Mali	US	United States of America
FI	Finland	MN	Mongolia	UZ	Uzbekistan
FR	France			VN	Viet Nam
GA	Gabon				

5

**SYSTEM AND METHOD FOR SELECTIVELY DISTRIBUTING
COMMERCIAL MESSAGES OVER A COMMUNICATIONS NETWORK**

10 **Field of the Invention**

The present invention relates generally to on-demand consumer ordered television and, more particularly, concerns a method for distributing advertising and commercial messages in such an environment.

15 **Background of the Invention**

The broadcast and advertising industries have historically focused on the ability of programming to predictably deliver a mass audience of people defined by broad demographics (e.g. women 35-49 with above average income, men 18-34) as a basis for selling broadcast advertising. This system works in the current configuration of the
20 broadcast industry, and specifically television, because there are a limited number of network channels and local stations. Further, they deliver a limited programming menu to the public, thus, neither the public nor the advertiser has many choices. Even with the advent of cable television, programming is still limited, so that audiences can be predicted.

25 Through the use of fiber optic cable and individual household satellite signal receptors, it is anticipated that a 500+ channel environment will soon be common. Further, with advances in high capacity video storage and movement toward digital format for television transmission, on-demand television is on the horizon, whereby a subscriber may select between viewing a program at the time of transmission or viewing a program
30 stored in a digital library at a central location in a cable network at a time of the viewer's choosing. With the anticipated increase in viewing options, efficient delivery of defined audience for advertisers through the sale of in-program participation or pre-set time slots on a given channel will become increasingly difficult.

U.S. Patent No. 5,260,778 to Kaufman, the disclosure of which is herein incorporated by reference, discloses an apparatus for selective distribution of messages over a communications network. A subscriber's converter is addressed according to a multilevel grouping structure. For example, in a two level grouping structure, each converter is assigned as a member of a primary group and may also be assigned to one or more subgroup. Thus, the head end can target a group of subscribers by tagging the appropriate group identifier to the message. Although this apparatus might be useful in a cable network with a large number of channels, it would not be appropriate in a more dynamic viewing on-demand environment where each converter may need to be individually addressed.

It is an object of the present invention to provide a method and system for dynamically distributing commercial programming to selected target households.

It is another object of the invention to distribute commercial programming to particular subscribers based on predetermined characteristics.

In accordance with the present invention, a system and method are provided for distributing commercial messages to an individually addressable subscriber terminal ("converter") on a network. Commercial messages to be distributed over the network contain embedded information identifying categories of recipients for each message. A server, centrally located on the network, selectively tags commercial messages with the converter addresses of subscribers, satisfying the identifying categories. The commercial messages are then transmitted over the network for receipt and display by a television receiver connected to the addressed converters. The addresses are selected by the server based on information stored in a database related to demographic and other information relating to the household of the subscriber in comparison to the same information relating to households which are actual customers of the product or service which is the subject of the commercial.

BRIEF DESCRIPTION OF THE DRAWINGS

The foregoing and other features of the present invention will be more readily apparent from the following detailed description of preferred embodiments taken in conjunction with the attached drawings wherein:

Fig. 1 is a block diagram of the system for distributing commercial messages;

Fig. 2 is a block diagram of the converter useful with the present invention;

Fig. 3 is a block diagram of a preferred embodiment of a distribution center in accordance with the present invention;

Fig. 4 is a flowchart of the method for evaluating subscribers for the purpose of targeting commercials to the most receptive audience; and

Fig. 5 is a block diagram illustrating a preferred form for a wide area network embodying the present invention.

DETAILED DESCRIPTION OF PREFERRED EMBODIMENTS

Fig. 1 is a general block diagram illustration of a preferred system in accordance with the present invention. A message distribution center 5 communicates with a plurality of subscribers 15 (one is shown) over a network medium 17. The network disclosed preferably uses high speed packet switching technology, preferably a synchronous transfer mode switching (ATM) of a known type. One skilled in the art will recognize that any of a number of conventional high speed networks could be used. The message distribution center 5 controls the distribution and transmission of selected television programs, including those broadcast by broadcast stations, digitally stored or recorded movies and programs, and commercial messages.

The message distribution center 5 includes a server 10 (described in more detail later) which produces a data stream containing the programming and commercial information being transmitted, as well as information controlling the distribution of programming and commercial information. This data stream is transmitted on the network medium 17. The server 10 preferably runs on a high speed processor (not shown). One skilled in the art will recognize that the message distribution center may include several high speed processors running several servers depending on the number of converters on the network 17. The message distribution center 5 also includes a transmitter 12 for transmitting the information produced by server 10 on the network medium. Thus, the function of the message distribution center 5 is to prepare and transmit data to the subscribers 15 over network medium 17.

Each subscriber 15 must have a converter 14 (described in more detail later) for receiving the transmitted data. Converter 14 extracts from the data a signal which is appropriate for display on television receiver 16.

As illustrated in Fig. 3, in creating the information stream, server 10 accesses several databases and libraries (32, 34, 38) to gather the information, and it can also provide analog or digital, real time programs 35, such as broadcast programs and cable programs. Server 10 accesses a prerecorded digital library 32 which is comprised
5 of prerecorded programs in a compressed digital or other storage format. For example, the programs may be stored on different types of known storage media, such as CD ROM, laser disk, or magnetic tape. Also stored in library 32 is information concerning the time in each program at which commercial breaks occur, and the duration of each break. The same information also accompanies real time programs. In many types of
10 programming, this information may be unnecessary, since breaks of fixed duration will occur at predetermined times.

In addition to providing programming information in its transmission stream, server 10 also provides commercial messages. Server 10 has access to a library of commercial messages 38, which contains all of its commercial messages stored in a
15 convenient format. Each commercial message is a "smart commercial", in that it contains embedded information identifying the categories of recipients for the message. As is explained more fully below, this embedded information is utilized by a Commercial Message Management Server (CMMS) 11 to produce a set of subscriber addresses corresponding to each category of recipient identified by the embedded information.

20 In the process of incorporating commercial messages in its transmission stream, server 10 accesses its database and libraries and cooperates with CMMS 11 to create a commercial message schedule 31, which controls the selection and timing of those commercial messages from library 38 that will be inserted into the transmitted data stream. Whenever, server 10 selects programming for a particular subscriber, it also
25 reserves space within the schedule 31 for the appropriate, accompanying commercial breaks. The actual messages inserted for each subscriber during each break are determined by CMMS 11 and are communicated to server 10 for insertion into schedule 31.

CMMS 11 accesses a commercial routing database 33, which includes
30 information about required routing of commercial messages, and a household database (described in more detail below) containing statistical information related to individual subscriber households. Based upon information contained in commercial routing database 33 and information embedded in the commercial message (conveyed from server 10),

CMMS 11 will select certain households or groups of households to receive certain commercial messages and will convey that information to server 10 for storage in commercial message schedule 31. The selection of households to receive commercial messages may be on the basis of household statistics in combination with requirements stored in commercial routing database 33, or the commercial messages may be associated with certain programming and/or certain viewing times and dates. When a break occurs in program material, commercial message schedule 31 determines which messages will be sent to each household, and server 10 will do so by embedding routing information from database 34 in its bit stream. Thus, each commercial message will have appropriate routing information associated with it.

Commercial routing database 33 keeps track of the routing requirements for commercial messages. It contains such information as how frequently each commercial message should be transmitted to each user or each group of users and the number of actual transmission of each message to each user or group of users. This database may also associate certain commercial messages with certain programming or certain viewing time slots.

Any or all of the databases 33, 34, or 36 could be maintained and continually updated by a separate server (not shown) or by multiple servers. For example, database 36 could be maintained by a network of servers, each providing information about a group of households defining its region.

It is also contemplated that server 10, may, at times, be required to send no commercial message, but instead, to relinquish control to another source of a commercial message. This could occur, for example, when server 10 is part of a hierarchical network and time has been reserved for insertion of commercial messages by a local station below server 10. Server 10 would then insert no commercial message for a specified interval, but would begin inserting information immediately at the end of the interval.

From the preceding description, it will be appreciated that as determined from commercial message schedule 31, server 10 transmits information through transmitter 12, preferably after receiving a request for a particular program stored in library 32, or for an incoming real time program, from an individual subscriber (possibly a sub-server). Server 10 may also commence sending information instead, based on the day of the week and the time of day, and may route the same information to many

subscribers. On a separate, preferably digital channel, server 10 transmits instructions to each subscriber controlling what channel it should access for its next commercial message. Server 10 routes each commercial message to a respective channel. When a commercial break is encountered in programming received by a subscriber, the subscriber's converter
5 14 is controlled to receive the commercial channel instructed by server 10. When the commercial break is over, converter 14 reverts to receiving the programming from server 10.

As described above, the subscriber must have a converter 14 connected to the network 17. Converter 14, as illustrated in Fig. 2, receives information addressed
10 with the converter's network address via a known addressable data receiver 22. The information may include analog and digital signals. Only the processing of digital signals is illustrated in Fig. 2, it being assumed that the analog signals are processed by conventional components (not shown). The commercial messages and the control information related to them are digital signals in the preferred embodiment. The data
15 receiver 22 preferably buffers and orders the digital information, stripping off all control and framing information (including routing information), in a high speed memory (not shown) for processing by microprocessor 24.

Microprocessor 24 accesses the buffered data and decompresses any digital program and commercial data, outputting the decompressed digital data as a digital signal
20 to digital to analog converter 26. Digital to analog converter 26 converts the digital signal from microprocessor 24 to an analog signal. Modulator 28 modulates the commercial signal from the channel instructed by processor 10 to the appropriate television frequency for display on a particular channel being viewed by television receiver 16. One skilled in the art will understand that if the television is a digital television, the steps converting
25 the digital signal to a modulated analog signal can be bypassed and the microprocessor would simple format the digital data to the format appropriate for the television. The function of the converter 14 is to receive information and output a signal appropriate for display on a television receiver.

As discussed above, commercial messages are selected by CMMS 11 based
30 on profile household data stored in profile database 36. Fig. 4 is a flow diagram illustrating the preferred method utilized in CMMS 11 for determining the commercials to be sent to a subscriber. A number of categories of goods and services, which categories may be limited to specific brands, are predefined, and these same categories

are used as part of the embedded information in smart commercials. Using propriety or syndicated research, a representative sample of "customer" or high frequency user households for the given product/service category or brand is selected (step 1). This sample is large enough to support statistical analysis for projection to all US households, i.e. a statistical sample. Using demographic, census and survey data, and other available data, information about these households in a wide range of categories is gathered (step 2). This information is compiled into a statistical profile of customer households (step 3). Also, the same data is gathered with respect to all households (step 4) and a statistical profile of all households is created (step 5).

In an effort to characterize target households for the product or service, the profile of the customer households is compared or correlated to the profile of all households (step 6). Demographic differences between the profiles are then noted (step 7) and each category of information weighted in importance (step 8). For example, weighting may be based on a statistical analysis taking into account the degree of difference and frequency of occurrence of the category. A rating is then established for each household for each category of goods/services (step 9). As an example, for a given product (luxury automobiles), a rating, y, may be established as follows:

$$y = 0.040425*A + 0.045920*B + 0.043766*C + 0.036453*D + 0.033336*E + 0.015284*F + 0.012396*G + 0.023163*H + 0.027470*I + 0.018362*J + 0.016994*K.$$

Table I defines what category of information each index variable A through K represents in a preferred embodiment related to a commercial message for luxury automobiles. The constant multiplier preceding each variable A-K, is the weighting factor for that variable as determined by the aforementioned statistical analysis. The value inserted for a variable in the above equation is determined from the table for that variable and the condition that applies for that variable. For example, if it were a white collar household, variable B would assume the index value for "white collar" in Table III. Every subscriber is scored filling an appropriate value in the above equation and solving for "y." The higher the score, the more likely the subscriber is to buy the corresponding product or service.

VARIABLE	INDEX
A	Gender
B	Occupation

VARIABLE	INDEX
C	Length of Residence
D	Number of Automobiles
E	Vehicle Type
F	Head of Household Age
G	Household Income
H	Median Rent: All Renter Occupied Housing
I	Percent of Population: Foreign Born
J	Percent of Population: Age 35-44
K	Percent of Population: Professional/Managerial Positions

Table I

Variables A-G are variables specifically related to the individual subscriber's household whereas H-K are variables related to the location of the subscriber's home. As can be seen from this particular equation, occupation, length of residence, and gender are the most important factors for this particular product.

The possible values for variables A-K are given in Tables II-XII. The columns are defined as follows:

VALUE: possible conditions that a variable may assume.

PERCENT OF TOTAL: percent of total analysis sample having the given value. The entries in this column always add up to 100%.

PERCENT OF TARGETS: percent of high frequency or target users meeting the value condition. Unlike Percent of Total, Percent Targets will not add up to 100%. However, the products of percent of target users for each category with the "Percent of Total" value (the size of the category in relation to the size of the analysis sample), will sum to the percent of target users in the analysis sample.

INDEX VALUE: the ratio between the entry in the "percent targets" column and the "total" entry in the same column.

5

VALUE	PERCENT OF TOTAL	PERCENT TARGETS	INDEX VALUE
Unknown, Female	14.64%	1.99%	0.3042
Male	85.36%	7.32%	1.1193
TOTAL	100.00%	6.54	1.0000

Table II - Gender

10

15

VALUE	PERCENT OF TOTAL	PERCENT TARGETS	INDEX VALUE
Retired, Unskilled, Military, Unknown	12.89%	2.11%	0.3230
Blue Collar/Clerks	56.42%	4.63%	0.7086
Other	5.01%	5.05%	0.7723
White Collar	25.68%	13.23%	2.0243
TOTAL	100.00%	6.54%	1.0000

Table III - Occupation

20

25

VALUE	PERCENT OF TOTAL	PERCENT TARGETS	INDEX VALUE
Less Than 6 Years, Unknown	39.53%	4.88%	0.7470
7-14 Years	21.51%	6.34%	0.9698
14 or More Years	38.96%	8.32	1.2733
TOTAL	100.00%	6.54	1.0000

Table IV - Length of Residence

30

VALUE	PERCENT OF TOTAL	PERCENT TARGETS	INDEX VALUE
Unknown	21.93%	3.25%	0.4967
0	12.95%	3.96%	0.6055
1	30.61%	4.60	0.7037

VALUE	PERCENT OF TOTAL	PERCENT TARGETS	INDEX VALUE
2	22.90%	10.21%	1.5618
3 Or More	11.61%	13.48%	2.0632
TOTAL	100.00%	6.54	1.0000

5

Table V - Number of Automobiles

VALUE	PERCENT OF TOTAL	PERCENT TARGETS	INDEX VALUE
Unknown	34.97%	3.52%	0.53484
Standard/Intermediate-Reg. Compact	24.35%	5.27%	0.8070
Other Compact, Subcompact	10.36%	7.06	1.0796
Pass-util., Economy, Sporty	20.76%	8.56%	1.3103
Luxury	9.55%	15.82%	2.4202
TOTAL	100.00%	6.54	1.00

10

15

Table VI - Vehicle Type

VALUE	PERCENT OF TOTAL	PERCENT TARGETS	INDEX VALUE
18-24/75+: SPC, 18-44: INF	18.50%	2.41%	0.3689
65-75: SPC, 55+: INF	15.99%	4.35%	0.6660
25-44: SPC, 45-55: INF	33.93	7.38%	1.1284
45-64: SPC	31.58%	9.16%	1.4009
TOTAL	100.00%	6.54%	1.0000

20

25

*SPC - Specific age data is available for the head of household
 INF - Inferred data, based on neighborhood characteristics are used for age determination

30

Table VII - Head of Household Age

5

VALUE	PERCENT OF TOTAL	PERCENT TARGETS	INDEX VALUE
Less Than \$15,000	8.37%	2.31%	0.3529
\$15,000 - \$19,999	5.60%	3.05%	0.4665
\$20,000 - \$29,999	13.12%	3.45	0.5275
\$30,000 - \$39,999	16.82%	5.06%	0.7743
10 \$50,000 - \$49,999	15.73%	6.49%	0.9936
\$50,000 - \$74,999	22.16%	7.25%	1.1098
\$75,000 - \$99,999	9.58%	11.66%	1.7838
\$100,000 Or More	8.62%	13.02%	1.9926
TOTAL	100.00%	6.54	1.0000

15

Table VIII - Household Income

20

VALUE	PERCENT OF TOTAL	PERCENT TARGETS	INDEX VALUE
Less Than \$129	7.74%	2.62%	0.4004
\$130 - \$219	34.09%	3.70%	0.5665
\$220 - \$289, Missing Data	30.39%	6.55	1.0019
\$290 - \$349	12.53%	9.19%	1.4065
\$350 - \$439	9.51%	11.37%	1.7403
25 \$440 Or More	5.74%	14.76%	2.2581
TOTAL	100.00%	6.54	1.0000

Table IX - Median Rent: All Renter Occupied Housing

30

VALUE	PERCENT OF TOTAL	PERCENT TARGETS	INDEX VALUE
Less Than 1.00%	14.70%	3.59%	0.5499
1.00% - 2.99%	22.98%	4.86%	0.7437

VALUE	PERCENT OF TOTAL	PERCENT TARGETS	INDEX VALUE
3.00% - 6.99%, Missing Date	31.67%	6.60%	1.0101
7.00% Or More	30.65%	9.13%	1.3976
TOTAL	100.00%	6.54%	1.0000

5

Table X - Percent of Population: Foreign Born

VALUE	PERCENT OF TOTAL	PERCENT TARGETS	INDEX VALUE
Less Than 7.00%	4.21%	3.08%	0.4717
7.00% - 9.99%	22.59%	4.54%	0.6943
10.00% - 13.99%, Missing Data	45.07%	5.80	0.8881
14.00% - 15.99%	13.08%	8.52%	1.3028
16.00% Or More	15.05%	10.97%	1.6783
TOTAL	100.00%	6.54	1.0000

10

15

Table XI - Percent of Population: Age 35-44

VALUE	PERCENT OF TOTAL	PERCENT TARGETS	INDEX VALUE
Less Than 11.00%	9.54%	3.51%	0.5376
11.00% - 19.99%	25.19%	4.02%	0.6148
20.00% - 217.99%, Missing Data	25.40%	4.68	0.7165
28.00% - 32.99%	11.64%	7.01%	1.0724
33.00% - 41.99%	14.73%	10.14%	1.5515
42.00% - 49.99%	7.91%	12.08%	1.8484
50.00% Or More	5.58%	13.14%	2.0112
TOTAL	100.00%	6.54	1.0000

20

25

30

**Table XII - Percent of Population:
Professional/Managerial Positions**

5 When an advertiser is purchasing advertising time, it can specify a cut-off
percentile for homes to receive its message. Thus if an advertiser wants to target the 30th
percentile (top 30%) of subscribers (as evaluated by the above equation) for its product,
the server 10 will only send the commercial messages to subscribers evaluated as being
within the top 30 percent. This permits advertisers to spend advertising funds more
10 efficiently.

Figure 5 is a block diagram illustrating a preferred configuration for a
hierarchical wide area network embodying the present invention. Global head end 50 is
a distribution center for the entire network and performs substantially the same functions
as distribution center 5 of Fig. 1. Global head end 50 communicates with a plurality of
15 regional head ends 52, also similar to distribution center 5, each of which, in turn,
communicates with a distribution center 5. It should be appreciated, however, that there
may be one or more additional levels of head end between regional head ends 52 and local
distribution center 5.

The head ends 50, 52 etc. are similar to the regional distribution center 5,
20 except that each maintains databases for its full region of responsibility. It will be
appreciated that Global head end databases could be entirely derived at the Global head
end, with corresponding portions of the databases being sent to the appropriate lower level
of distribution center. Alternately, each level of distribution center could maintain its own
databases, with information being transmitted upwardly to the higher levels, where an
25 appropriate cumulative database would be assembled. The essential difference between
a head end and a local distribution center is that only the local distribution center produces
converter addresses to communicate directly with subscribers.

A head end transmits downwardly information containing smart
commercials, but the smart commercials contain routing information indicating groups to
30 receive the commercial. This is accomplished by defining a target group code
representative of each type of product or service that may be covered by a commercial
and, as routing information, transmitting the target group code or codes associated with
the commercial, together with a percentile indication. A commercial message for luxury
automobiles might therefore include the target group code for luxury automobiles, together

with a "30", indicating that the commercial is to be transmitted to the thirtieth percentile or top 30 percent of the customer group targeted for luxury automobiles. This is the same type of information embedded in commercials stored in Library 38 of Fig. 3.

It should be appreciated that in the system of Fig. 5, advertising
5 information may be inserted at any level. For example, programming may be transmitted downwardly from Global head end 50 with certain commercial message slots already filled, and regional head ends 52 may then also fill other commercial message slots. Thus, by the time certain programming reaches a local distribution center 5, many of the commercial message slots may already be filled. It is then up to the local distribution
10 center to receive and strip the group distribution codes accompanying each commercial message inserted at a higher level and to substitute the appropriate routing information for the actual subscribers in its region which meet that description. Any commercial slots in the programming which have not been filled at a higher level are, of course, available to be filled by any lower level distribution center.

15 While the present invention has been particularly shown and described with reference to preferred embodiments thereof, it will be understood by those skilled in the art that various changes in form and details may be made therein without departing from the spirit and scope of the invention.

WHAT IS CLAIMED:

1 1. A system for selectively distributing messages over a
2 communications network, comprising:
3 a controller for communicating over the network with a plurality of
4 subscriber terminals in a plurality of subscriber households served by the communications
5 network, each of said subscriber terminals having a network address;
6 a reservoir of data operatively associated with said controller, said reservoir
7 containing network addresses of said subscriber terminals and subscriber profile data
8 associated with each of said subscriber households and including demographic data;
9 a source of commercial messages;
10 selection means operatively associated with said controller for selecting at
11 least one of said commercial messages for transmission to at least one of said subscriber
12 terminals based on the subscriber profile data associated with said at least one subscriber
13 terminal; and
14 identifying means operatively associated with said controller for identifying
15 the selected at least one commercial message with the network address of said at least one
16 subscriber terminal;
17 said controller causing the transmission from said source to said at least one
18 subscriber, over the network, of the commercial messages identified by said identifying
19 means.

1 2. A system as in claim 1 wherein said commercial messages provided
2 by said source contain information identifying at least one characteristic of a household
3 intended to receive the commercial message.

1 3. A system as in claim 1 wherein said reservoir of data further
2 comprises target household profile data identifying characteristics of actual customers of
3 the subject matter of said at least one commercial message, and means for comparing the
4 subscriber's profile data and said target profile data, said selection means selecting
5 commercials for transmission to a subscriber terminal in relationship to the comparison
6 between that subscriber's profile data and the target profile data.

1 4. A system in accordance with claim 2 further comprising means for
2 generating said target household profile data by comparing data representative of the
3 general population of households and customer household data representative of actual
4 customers of the subject matter of said at least one commercial message.

1 5. In a system for selectively distributing messages over a
2 communications network, said system including a source of commercial messages, and a
3 controller communicating over the network with a plurality of subscriber terminals in a
4 plurality of subscriber households served by the communications network and controlling
5 the transmission of commercial messages from the source to the subscribers over the
6 network, each of the subscriber terminals having a network address, the combination of:
7 a reservoir of data operatively associated with the controller, said reservoir
8 containing network addresses of the subscriber terminals and subscriber profile data
9 associated with each of the subscriber households and including demographic data;
10 selection means operatively associated with the controller for selecting at
11 least one of the commercial messages for transmission to at least one of the subscriber
12 terminals based on the subscriber profile data associated with said at least one subscriber
13 terminal; and
14 identifying means operatively associated with said controller for identifying
15 the selected at least one commercial message with the network address of said at least one
16 subscriber terminal.

1 6. A system as in claim 5 wherein said reservoir of data further
2 comprises target household profile data identifying characteristics of actual customers of
3 the subject matter of said at least one commercial message, and means for comparing the
4 subscriber's profile data and said target profile data, said selection means selecting
5 commercials for transmission to a subscriber terminal in relationship to the comparison
6 between that subscriber's profile data and the target profile data.

1 7. A system in accordance with claim 6 further comprising means for
2 generating said target household profile date by comparing data representative of the
3 general population of households and customer household data representative of actual
4 customers of the subject matter of said at least one commercial message.

1 8. A system for selectively distributing commercial messages across
2 a communications network to at least one of a plurality of subscriber terminals in
3 subscriber households having a network address, comprising:

4 means for associating each of a collection of stored commercial messages
5 with a product code representing characteristics of a subscriber household profile common
6 to actual customers of the subject matter of the commercial message;

7 means for prioritizing said plurality of subscriber terminals with respect to
8 each product code, based on the conformance of subscriber household profile data for
9 each of said plurality of subscriber terminals to the characteristics represented by each
10 product code; and

11 means for controlling the transmission of a commercial message from said
12 collection to said subscriber terminals so that only terminals of a specified priority relative
13 to a product code receive a commercial message identified with that product code.

1 9. The system of claim 8 wherein the means for prioritizing said
2 plurality of subscriber terminals comprises:

3 means for comparing, with respect to each product code, profile data
4 representative of customer households with profile data representative of all households,
5 and producing a weighting factor with respect to each difference characteristic related to
6 the frequency of occurrence; and

7 means for calculating a subscriber's priority with respect to a product code
8 by analyzing the respective subscriber's household profile for the presence of difference
9 characteristics and adding the corresponding weighting factor to the subscriber's priority
10 when a difference characteristic is present.

1 10. A method for selectively distributing commercial messages across
2 a communications network to at least one of a plurality of subscriber terminals in
3 subscriber households having a network address comprising the steps of:

4 associating each of a collection of stored commercial messages with a
5 product code representing characteristics of a subscriber household profile common to
6 actual customers of the subject matter of a respective commercial message;

7 prioritizing said plurality of subscriber terminals with respect to each
8 product code, based on the conformance of subscriber household profile data for each of

9 said plurality of subscriber terminals to the characteristics represented by each product
10 code; and

11 controlling the transmission of a commercial message from said collection
12 to said subscriber terminals so that only terminals of a specified priority relative to the
13 product code receive the commercial message tagged with that product code.

1 11. The method of claim 10 wherein the specified priority is included
2 in said product code.

1 12. The method of claim 11 wherein the step of prioritizing said
2 plurality of subscriber terminals comprises the steps of:

3 with respect to each product code, comparing profile data representative of
4 customer households with profile data representative of all households, producing a
5 weighting factor with respect to each difference characteristic related to the frequency of
6 occurrence;

7 calculating a subscriber's priority with respect to the product code by
8 analyzing the respective subscriber's household profile for the presence of difference
9 characteristics and adding the corresponding weighting factor to the subscriber's priority
10 when a difference characteristic is present.

1 13. In a method for selectively distributing messages over a
2 communications network, said method being used in conjunction with a system including
3 a source of commercial messages, and a controller communicating over the network with
4 a plurality of subscriber terminals in a plurality of subscriber households served by the
5 communications network and controlling the transmission of commercial messages from
6 the source to the subscribers over the network, each of the subscriber terminals having
7 a network address, the steps of:

8 maintaining a reservoir of data operatively associated with the controller,
9 said reservoir containing network addresses of the subscriber terminals and subscriber
10 profile data associated with each of the subscriber households and including demographic
11 data;

12 selecting at least one of the commercial messages for transmission to at
13 least one of the subscriber terminals based on the subscriber profile data associated with
14 said at least one subscriber terminal; and
15 identifying the selected at least one commercial message with the network
16 address of said at least one subscriber terminal.

1 14. A method as in claim 13 wherein said reservoir of data further
2 comprises target household profile data identifying characteristics of actual customers of
3 the subject matter of said at least one commercial message, said method further
4 comprising the step of comparing the subscriber's profile data and the target profile data,
5 said selecting step selecting commercials for transmission to a subscriber terminal in
6 relationship to the comparison between that subscriber's profile data and the target profile
7 data.

1 15. A method in accordance with claim 14, further comprising the step
2 of generating said target household profile data by comparing data representative of the
3 general population of households and customer household data representative of actual
4 customers of the subject matter of said at least one commercial message.

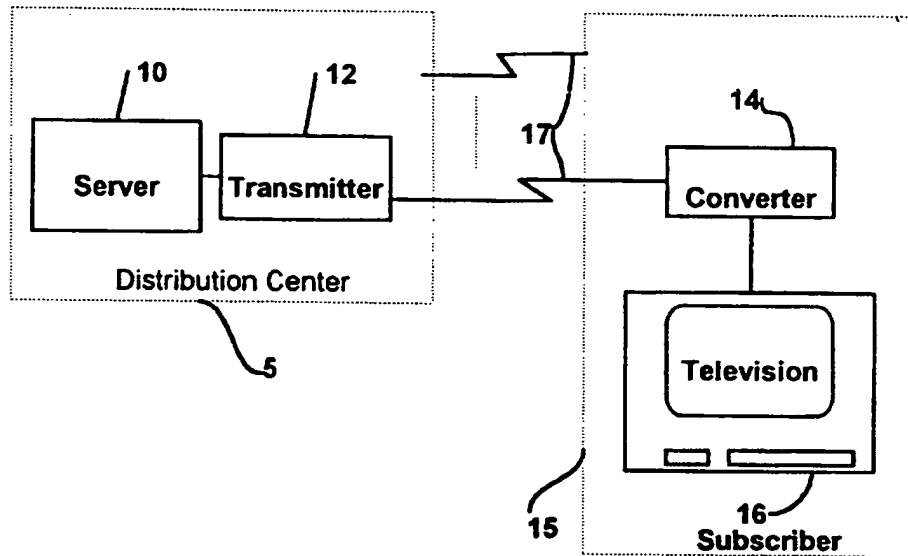


Fig. 1

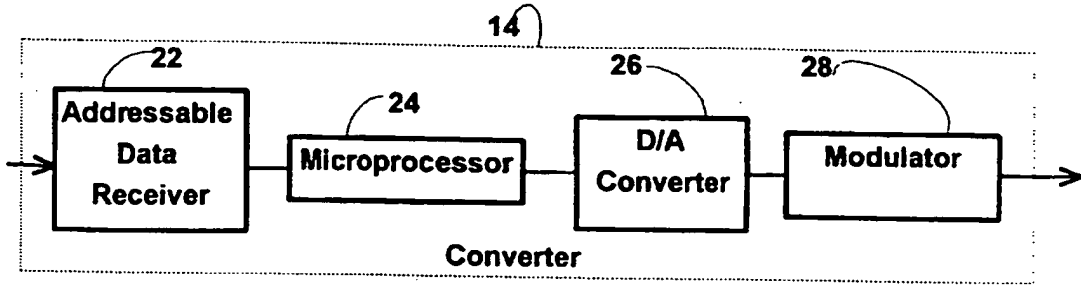


Fig. 2

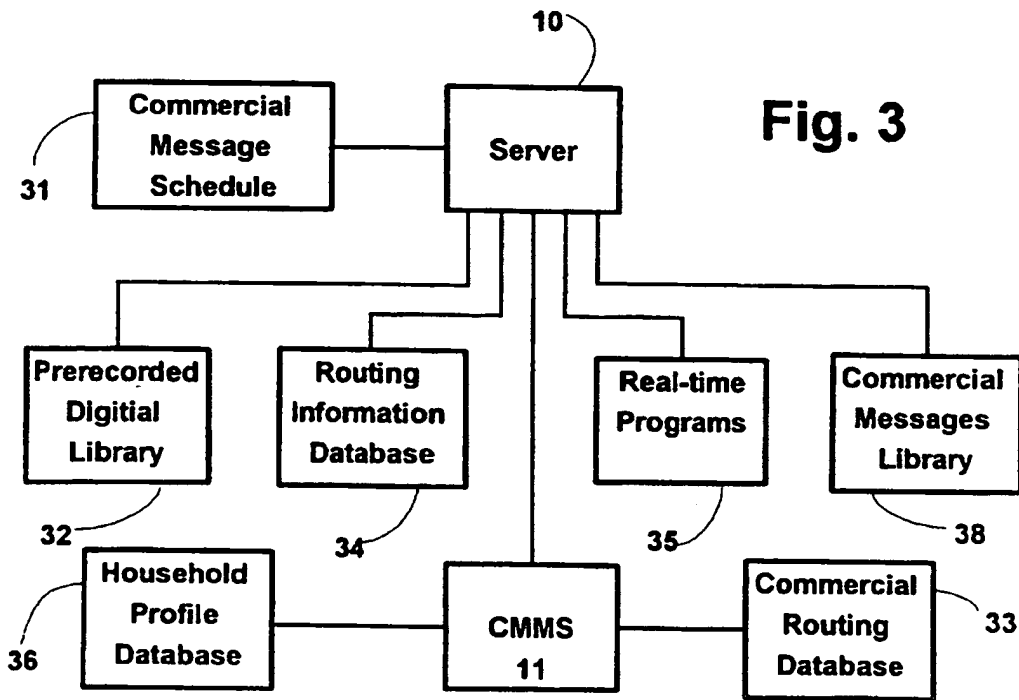


Fig. 3

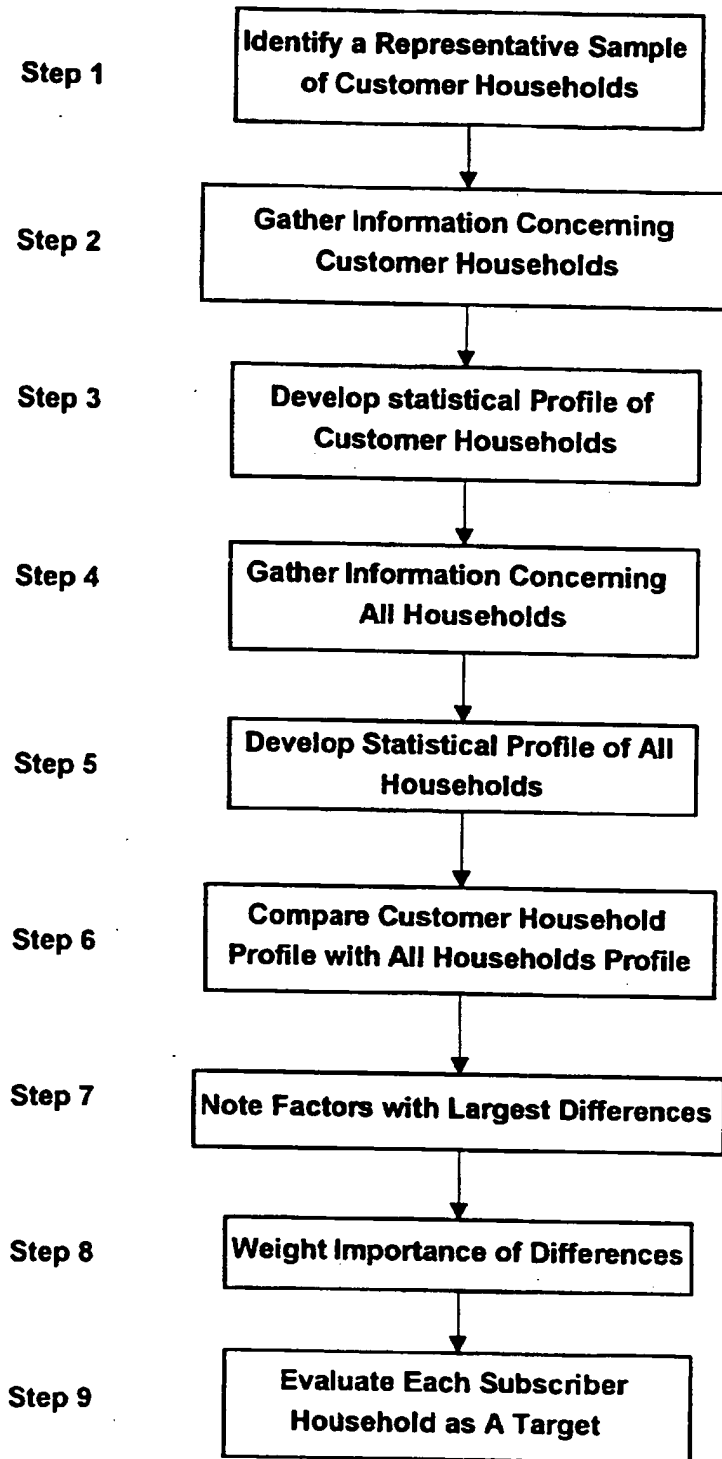


Fig. 4

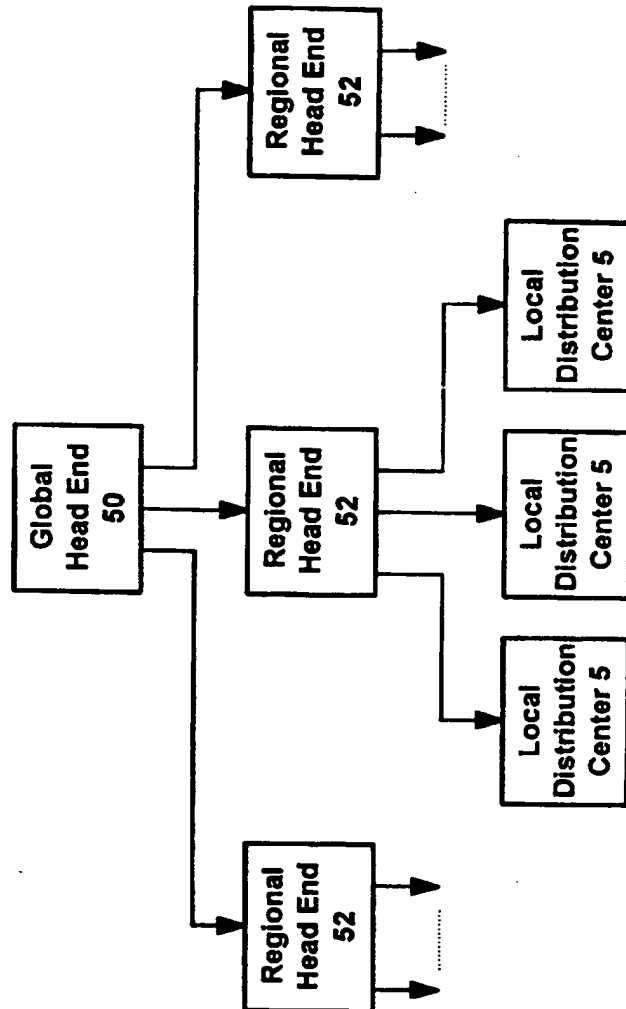


Fig. 5

INTERNATIONAL SEARCH REPORT

International application No.
PCT/US95/11710

A. CLASSIFICATION OF SUBJECT MATTER		
IPC(6) : H04N 7/10 US CL : 348/8, 6; 455/3.3 According to International Patent Classification (IPC) or to both national classification and IPC		
B. FIELDS SEARCHED		
Minimum documentation searched (classification system followed by classification symbols) U.S. : 348/8, 6, 1, 10, 12; 455/3.3, 2, 4.2, 5.1; 358(foreign)/86, 84		
Documentation searched other than minimum documentation to the extent that such documents are included in the fields searched		
Electronic data base consulted during the international search (name of data base and, where practicable, search terms used) APS, IEEE/IEE PUBLICATIONS ONDISC SEARCH		
C. DOCUMENTS CONSIDERED TO BE RELEVANT		
Category*	Citation of document, with indication, where appropriate, of the relevant passages	Relevant to claim No.
A	US, A, 5,155,591 (WACHOB) 13 October 1992, entire document.	1-7
<input type="checkbox"/> Further documents are listed in the continuation of Box C. <input type="checkbox"/> See patent family annex.		
* Special categories of cited documents:	*T	later document published after the international filing date or priority date and not in conflict with the application but cited to understand the principle or theory underlying the invention
A document defining the general state of the art which is not considered to be part of particular relevance	*X*	document of particular relevance; the claimed invention cannot be considered novel or cannot be considered to involve an inventive step when the document is taken alone
E earlier document published on or after the international filing date	*Y*	document of particular relevance; the claimed invention cannot be considered to involve an inventive step when the document is combined with one or more other such documents, such combination being obvious to a person skilled in the art
L document which may throw doubts on priority claim(s) or which is cited to establish the publication date of another citation or other special reason (as specified)	*Z*	document member of the same patent family
O document referring to an oral disclosure, use, exhibition or other means		
P document published prior to the international filing date but later than the priority date claimed		
Date of the actual completion of the international search 27 OCTOBER 1995	Date of mailing of the international search report 06 DEC 1995	
Name and mailing address of the ISA/US Commissioner of Patents and Trademarks Box PCT Washington, D.C. 20231 Facsimile No. (703) 305-3230	Authorized officer <i>Jane Hill</i> SHERRIE HSIA Telephone No. (703) 305-4738	